



wemaketiles

|

objects

content

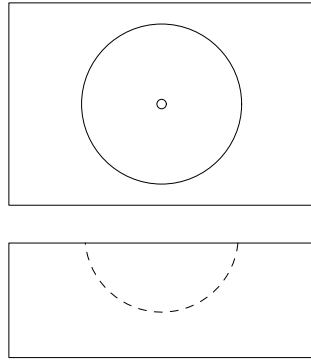
p. 03 - 08

BAK ^{of}

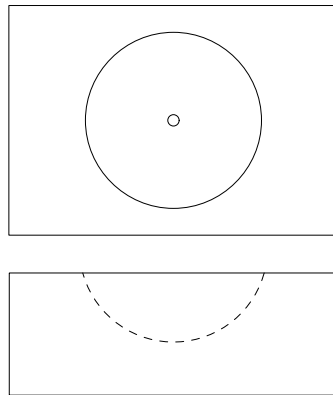
p. 09 - 10

COLUMN ^{of}

af bak XS
40 x 26.5 x h. 15 cm



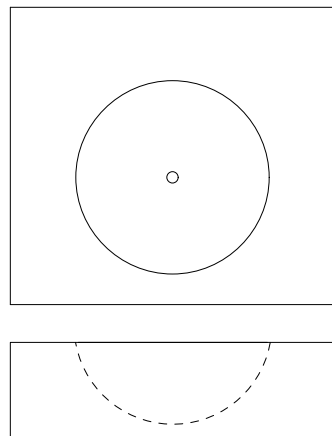
af bak S
43 x 30 x h. 16 cm



available in glazes and textures
not lockable

each basin is handcrafted and unique.
variations in colors or dimensions are the signature of our product.

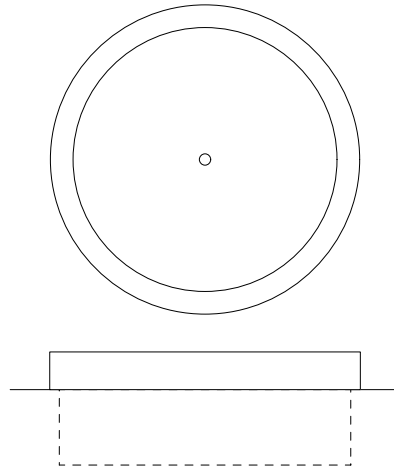
af bak L
38.5 x 42 x h. 12.5 cm



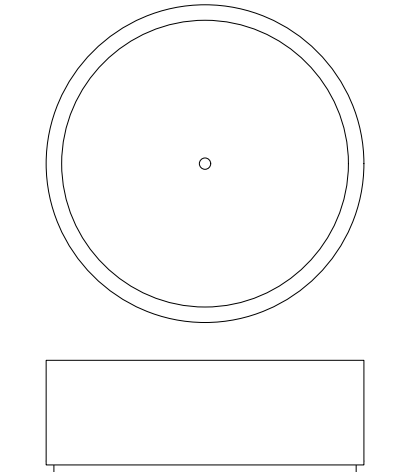
available in glazes and textures
not lockable

each basin is handcrafted and unique.
variations in colors or dimensions are the signature of our product.

af bak Ri
dia 40.5/34.5 x h. 5/15 cm



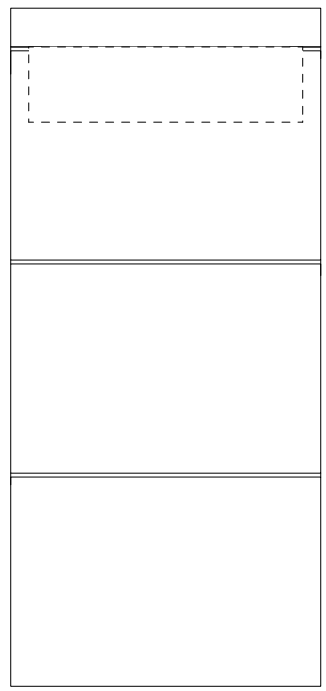
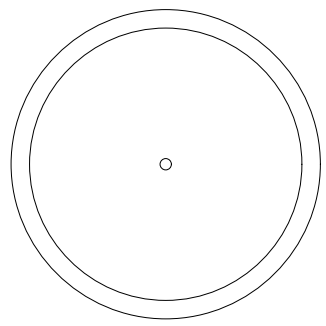
af bak Ro
dia 41/37 x h. 15 cm



available in glazes and textures
not lockable

each basin is handcrafted and unique.
variations in colors or dimensions are the signature of our product.

af column
dia 40/35.5 x h. 87.5 cm



available in glazes and textures
not lockable

each basin is handcrafted and unique.
variations in colors or dimensions are the signature of our product.

Discuss your object
with atelier franssens

St-jorisstraat 83C, 8730 Beernem

info@atelierfranssens.be
www.atelierfranssens.be
050 78 99 19

 [instagram.com/atelierfranssens](https://www.instagram.com/atelierfranssens)

